



1 ESD Precautions

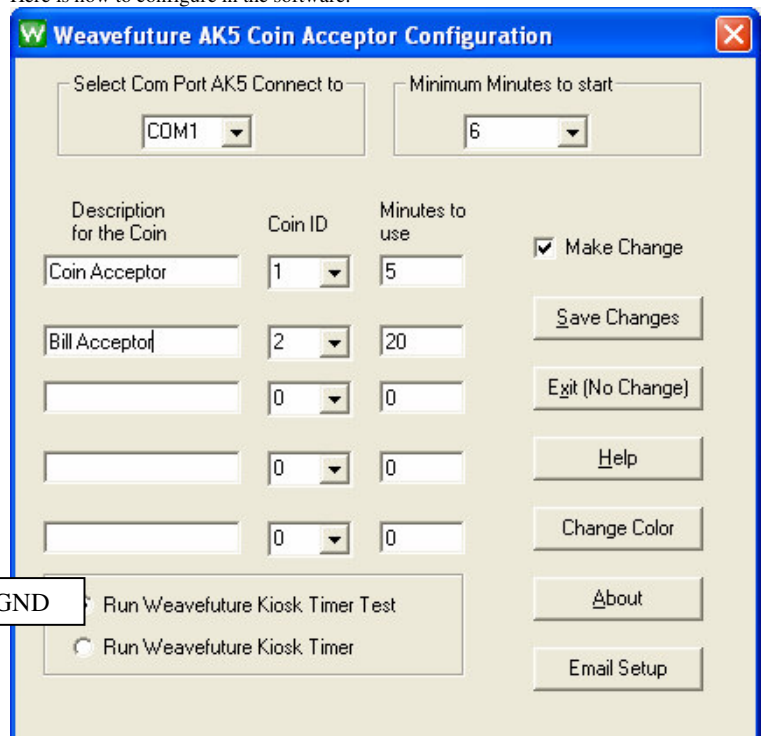
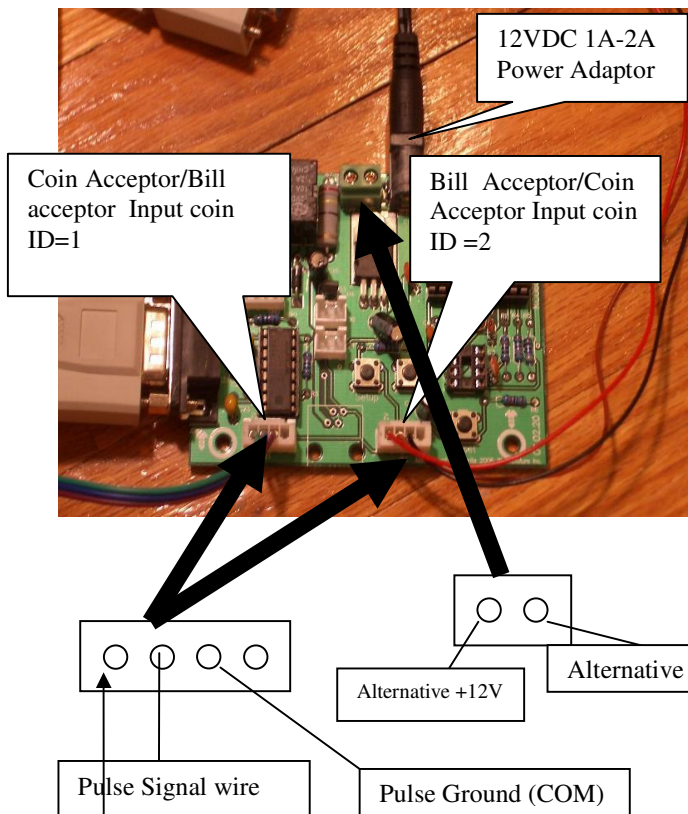
The Bill Acceptor, Coin Acceptor and Internet Café Kiosk Interface Board is used as an interface to PC. Proper grounding is conducted by connecting the metal mounting bracket to the metal surface of the vending machine chassis.

To minimize electrostatic discharge, observe the following precautions:

- When removing Bill Acceptor, Coin Acceptor and Internet Café Kiosk Board from/to the PC, lay it on an antistatic surface such as a ESD mat or a disposable antistatic mat.
- Always wear an antistatic wrist strap connected to metal surface on the chassis of the PC (ground) when working on Bill Acceptor, Coin Acceptor and Internet Café Kiosk Board.
- Do not touch the I/O ports by hands.
- Do not disassemble the unit.

2 Weavefuture Internet Café Kiosk Interface Board

Weavefuture Internet Café Kiosk Board takes pulse signal from the AC5 Coin Acceptor and/or Bill Acceptor, and then converts the pulse to time and send to PC through RS232 cable. Or USB-RS232 Cable Here is how to configure in the software.



You can either provide Power adaptor or alternative power source through 2 screws power connector.

Please use separated power supply for any third parties' coin acceptor and bill acceptor according to their manufacture manual. This +12VDC output is designed for our own Coin Acceptor and bill acceptor. You may use this for your coin acceptor or/and bill acceptor on your own risk, if they are 12VDC input and need less power than 0.5A combine.

Output: 12VDC 1A - 2A Power adaptor

